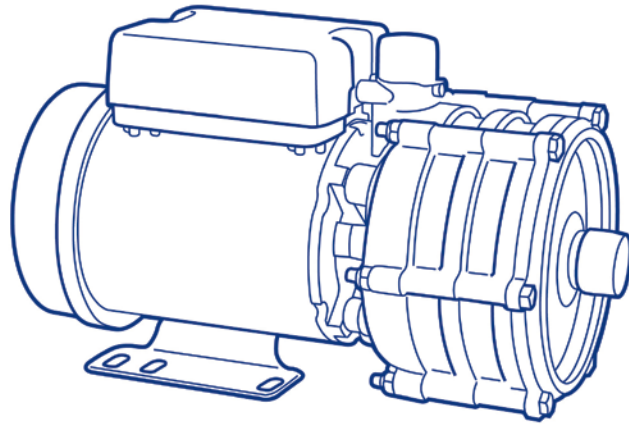


Salamander RP single range



Pump Name – RGP 40

Classification – Single ended general purpose pump

Type – 1.3 bar single ended, single stage centrifugal

Maximum Pressure – 1.3 bar

Duty point 1 – 1.1 bar at 10 litres/min

Duty point 2 – 1.0 bar at 20 litres/min

Usage rating – Continuous

Current rating – 1.0 A

Input power – 250W

Ingress protection rating – IP22

Pack size – 307 x 210 x 210

Weight – 5.33 kg

Pump Name – RGP 80

Classification – Single ended general purpose pump

Type – 2.4 bar single ended, two stage centrifugal

Maximum Pressure – 2.4 bar

Duty point 1 – 2.15 bar at 10 litres/min

Duty point 2 – 1.8 bar at 20 litres/min

Usage rating – Continuous

Current rating – 1.5 A

Input power – 365 W

Ingress protection rating – IP22

Pack size – 307 x 223 x 210

Weight – 6.12 kg

Pump Name – RGP 120

Classification – Single ended general purpose pump

Type – 3.6 bar single ended, three stage centrifugal

Maximum Pressure – 3.6 bar

Duty point 1 – 3.2 bar at 10 litres/min

Duty point 2 – 2.8 bar at 20 litres/min

Usage rating – Continuous

Current rating – 1.8 A

Input power – 430 W

Ingress protection rating – IP22

Pack size – 307 x 223 x 210

Weight – 6.44 kg